

RELIABLE AND ATTRACTIVE DESIGN IN ADDITION TO FUNCTIONALITY AND SAFETY

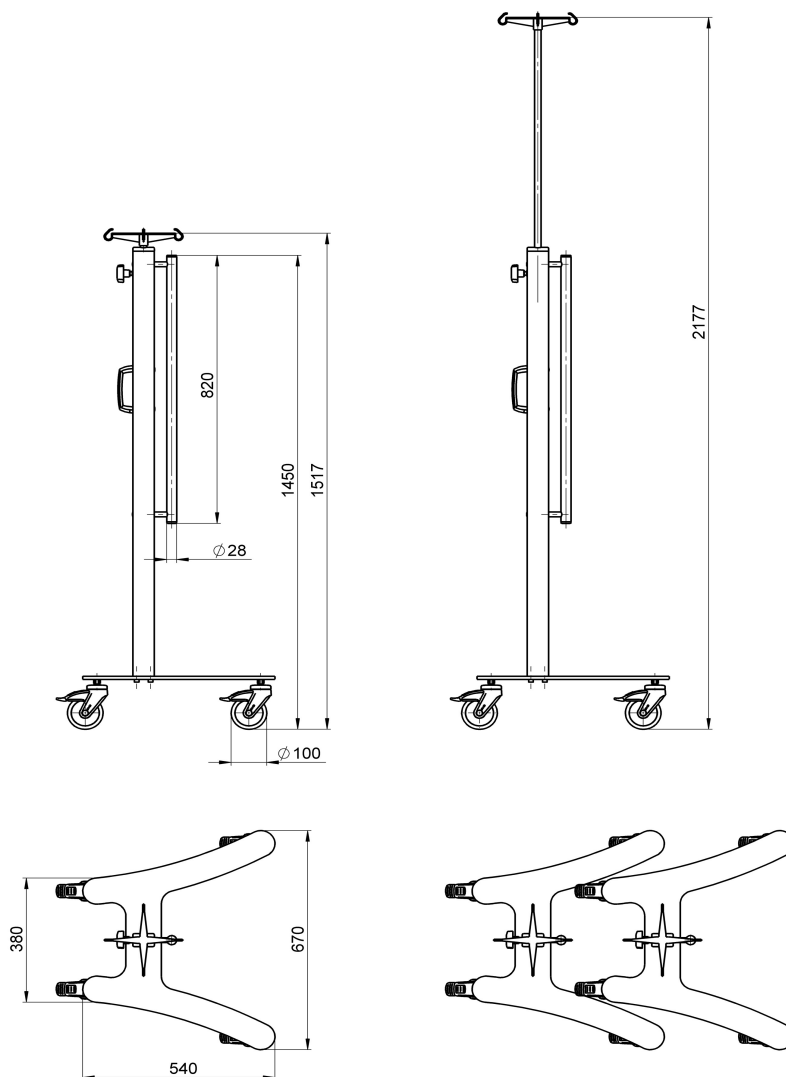
- Light and reliable mobile docking station designed for pumps mounting up to four units
- Stable base with high quality castors with total brake
- Height adjustable IV pole for infusion bottles and bags
- Ergonomic handle for easy maneuverability



# MobiDock 210

ART.-NR. 6300001

## Dimensions



Space saving storage designed base

## General technical data

Material of Base	powder coated high tensile steel	Total weight (net)	16.5 kg
Material of IV pole	stainless steel	Size of castors	4 x Ø 10 cm swivel castors with total lock
Bottle holder	four plastic hooks	Load capacity of hooks	2 kg / hook
IV pole height adjustment range	1517 - 2177 mm	Total load capacity	30 kg
Dimensions of docking pole	Ø 28 x 820 mm	Colour	RAL 9001
Base dimensions	670 x 540 mm	Applied directive and standards	93/42/EEC and harmonized standards

**Digiterm**<sup>®</sup>  
medical equipment

Digiterm Ltd.  
Ipar út 7, H-3200 Gyöngyös  
Tel.: +36 37 311 990  
Fax: +36 37 311 893  
E-mail: sales@digiterm.hu  
www.digiterm.hu

